



RADE KONČAR KONTAKTORI I RELEI D.O.O.

CNN CONTACTORS



NEW

NEW MOTOR CONTACTORS

CONTEMPORARY MODULAR CONCEPTION OF DESIGN WITH WIDE POSSIBILITIES OF COMBINATION FOR AUXILIARY CONTACTS INTENDED FOR END USERS (PANEL BUILDERS, MAINTENANCE DEPT.)

THE CONSUMER IS ABLE TO COMPLETE CONTACTORS WITH DIFFERENT NUMBER AND LOCATION OF AUXILIARY CONTACTS.

Features

- In conformity with: IEC/EN 60947-1; IEC/EN 60947-5-1, IEC/EN 60947-4-1
- Small mounting dimensions and overall size
- 3 kW; 4 kW; 5.5 kW; 7.5 kW; 11 kW; 15 kW and 18.5 kW rating at 400 V, AC3
- Finger safe terminal for auxiliary contacts
- Snap-on auxiliaries block
- 35 mm DIN Rail and Screw mounting

Simplicity

SNAP-ON INSTALLATION

Mounting and removal of the add-on auxiliary contacts, along with contactor coil replacement are quick and easy operations and are done with no tools.



Technical Information

- Mechanical durability in millions of operating cycles: 10
- Electrical life for Ie/AC3 Max in millions of operating cycles: 1
- Maximum operating rate in operating cycles per hour: 1800
- Operating temperature : -25/+55 °C
- Rated operating voltage Ue : 690 V AC
- Rated impulse withstand voltage Uimp : 6 kV
- Degree of protection (IEC 60529) : IP 20 protection on front

35 mm DIN RAIL MOUNTING AND FIXING

Contactor mounting on and removal from a 35mm DIN rail are tool less operations and are done by simply applying pressure on the contactor.



FRONT SECURITY - IP20 CONNECTION SECURITY - IP10

The ease of terminal access and space is combined with IP10 finger safety, to prevent

3 - TERMINAL COIL

Connecting cables can be coupled to the coil on the Line ends of the contactor.



CAPACITOR CONTACTORS



Type designation		CNNK 10 20 CNNK 10 11	CNNK 12 20 CNNK 12 11	CNNK 15 20 CNNK 15 11	CNNK 20 10	CNNK 25 10	CNNK 30 10
AC 6b utilization category For switching three phase capacitors							
Capacitor rating at 230V	kVar	5	6.7	8.5	11	14	20
	400V kVar	10	12.5	15	20	25	30
Rated Current Ie/AC6b at 400V	A	14	18	22	29	36	44
Insulating rating	V	690					
Maximum permissible fuse gL-gG main circuit	A	25	35	50	50	63	80
	A	16	16	16	16	16	16
Maximum permissible Frequency of switching operation	s/h	240			120	120	
Electrical endurance		200.000			150.000	100.000	
Permissible ambient temperature	°C	-25 to +55					
Rated control voltage	V/Hz	24 - 500/50					
Sizes of connecting conductors - main circuit	rigid	1.5 - 6	1.5 - 6	1.5 - 6	2.5 - 10	2.5 - 10	2.5 - 10
	flexible	1.5 - 6	1.5 - 6	1.5 - 6	2.5 - 10	2.5 - 10	2.5 - 10
	flexible with end sleeve	1.5 - 6	1.5 - 6	1.5 - 6	2.5 - 10	2.5 - 10	2.5 - 10
Version / First: number of make, second: number of brake aux. contacts		20 11	20 11	20 11	10	10	10
Weights	kg	0.31	0.31	0.31	0.33	0.40	0.41

Capacitor Contactors contain special device which disconnect resistors after switching-on contactors.

Before switch the contactor in the circuit, capacitor must be discharged (the residual voltage at the terminals must be < 50 V) use self discharged capacitor. During exploitation, current value must not exceed the declared values.

Kits for assembling CNNK contactors

To optimise contactor stock management, a kit is available to transform normal three-pole contactors into CNNK types for power factor correction.

The table to the below indicates which kits to purchase depending on the standard contactor in stock.

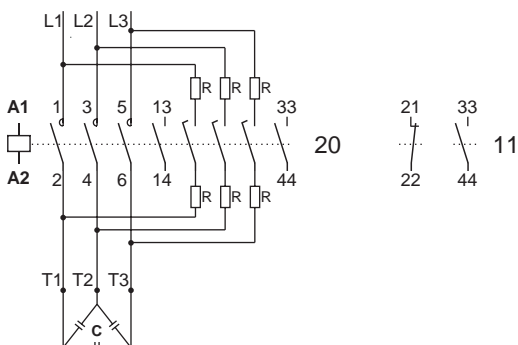


BPK1
BPK2

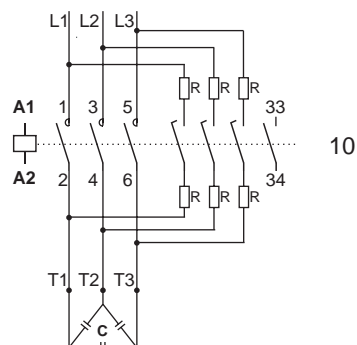
TYPE of CONTACTOR	TYPE of CAPACITOR BLOCK	TYPE of CAPACITOR CONTACTOR
CNN 9	BPK1	CNNK 10
CNN 12	BPK1	CNNK 12
CNN 18	BPK1	CNNK 15
CNN 25	BPK1	CNNK 20
CNN 32	BPK2	CNNK 25
CNN 40	BPK2	CNNK 30

Diagrams and markings for connections

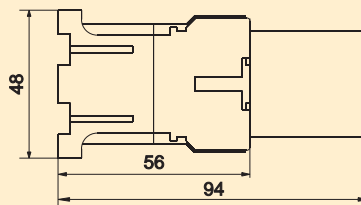
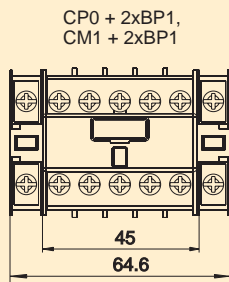
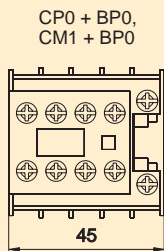
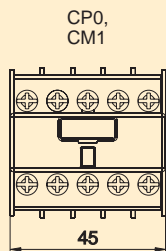
CNNK 10; CNNK 12; CNNK 15



CNNK 20; CNNK 25; CNNK 30

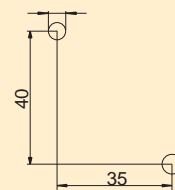


Dimension drawings (mm)



Drilling plan (mm)

CP0; CM1

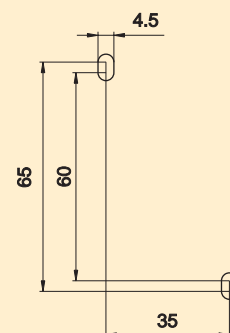
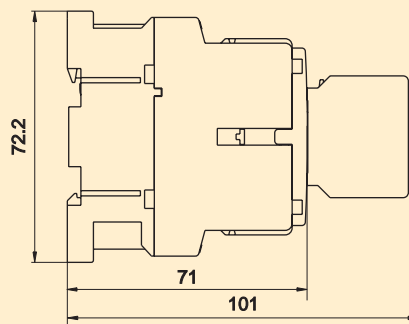
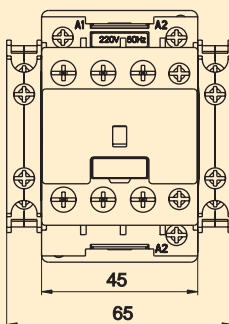
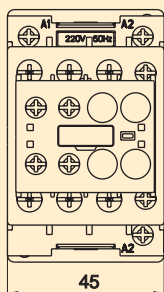
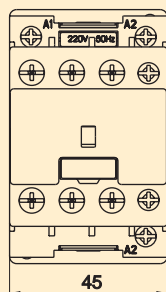


CNN 9;
CNN 12;
CNN 18

CNN 9 + BP2 (BP4)
CNN 12 + BP2 (BP4)
CNN 18 + BP2 (BP4)

CNN 9 + 2xBP3
CNN 12 + 2xBP3
CNN 18 + 2xBP3

CNN 9; CNNK 10
CNN 12; CNNK 12
CNN 18; CNNK 15

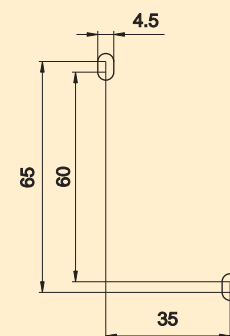
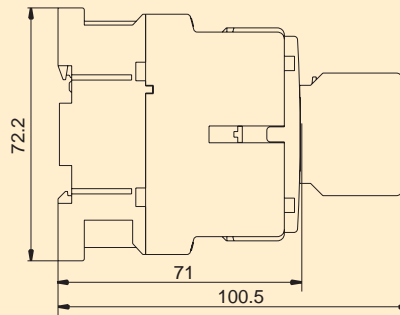
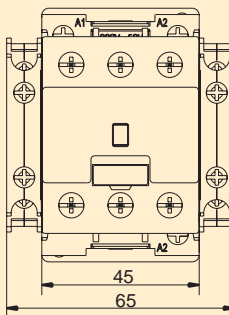
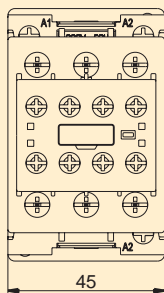
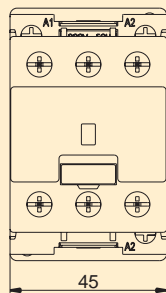


CNN 25

CNN 25 + BP2 (BP4)

CNN 25 + 2xBP3

CNN 25; CNNK 20

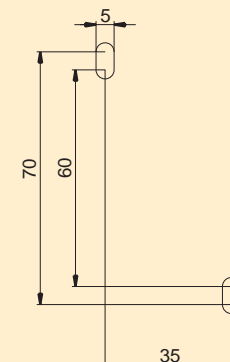
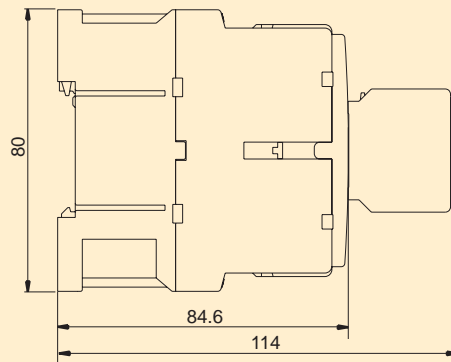
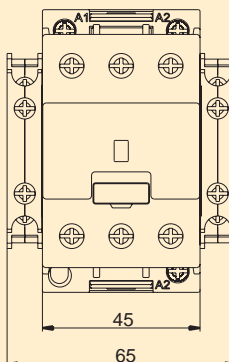
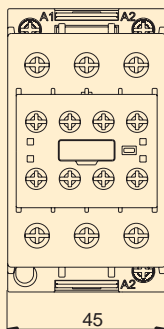
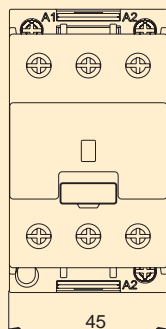


CNN 32;
CNN 40

CNN 32 + BP2 (BP4);
CNN 40 + BP2 (BP4)

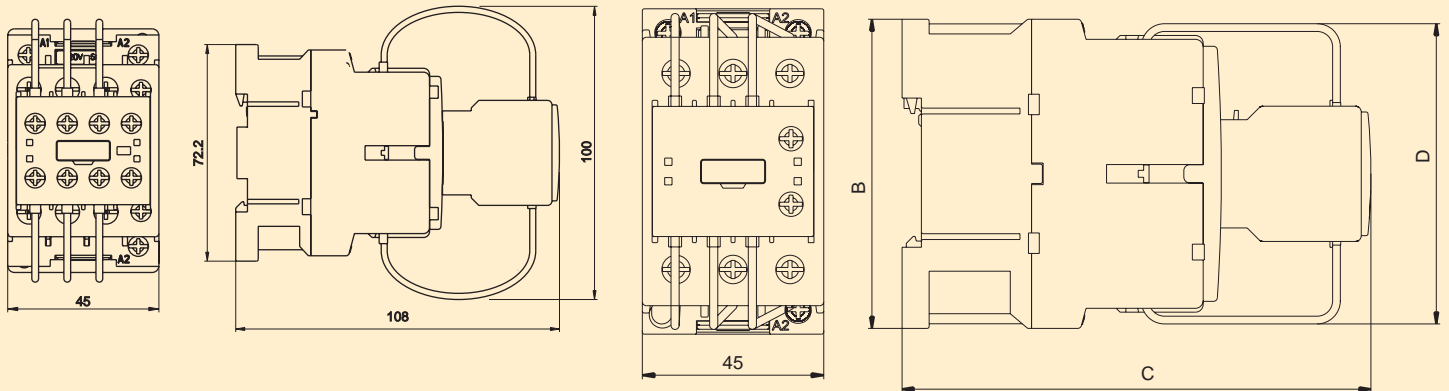
CNN 32 + 2xBP3;
CNN 40 + 2xBP3

CNN 32; CNNK 25
CNN 40; CNNK 30



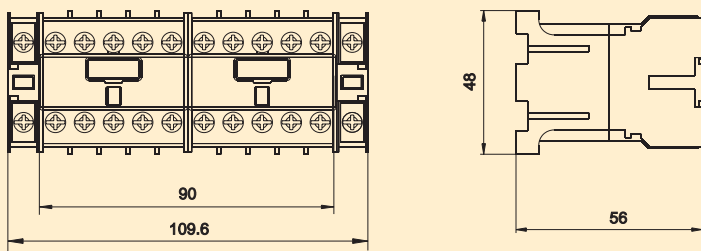
Dimension drawings (mm)

CNNK 10; CNNK 12; CNNK 15

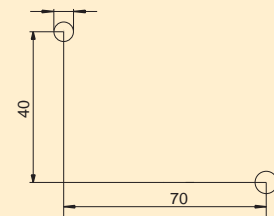


TYPE	B	C	D
CNNK 20	72.2	108	105
CNNK 25; CNNK 30	80	121.3	107

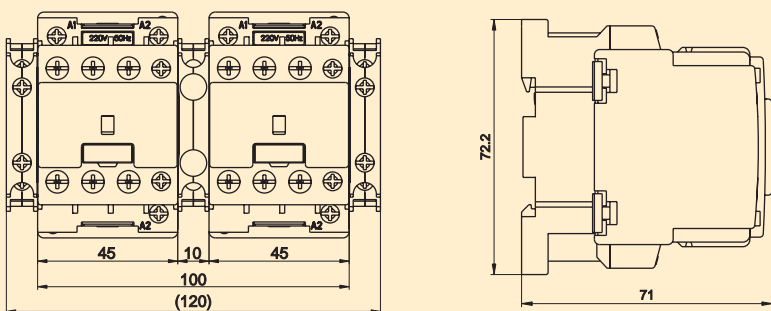
MBCM1 00; MBCM1 11



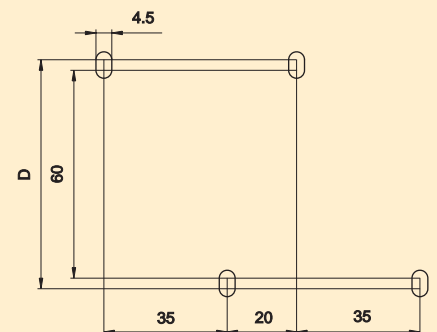
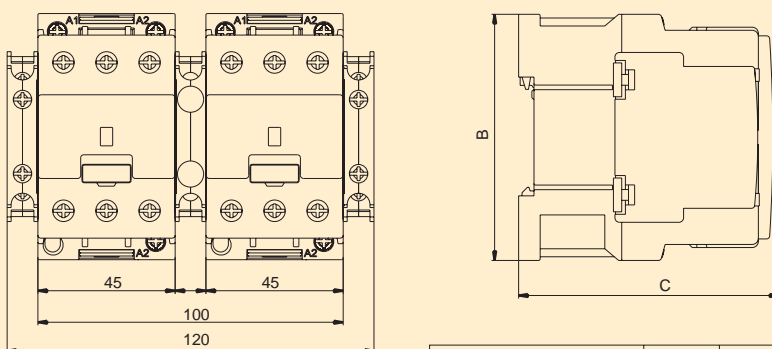
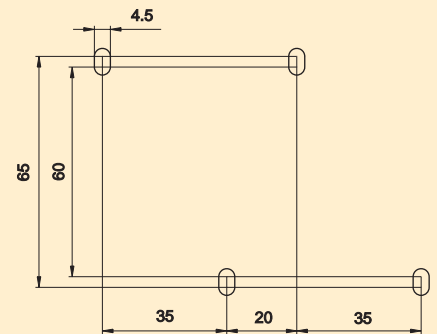
Drilling plan (mm)



MBCNN 9 00 (11); MBCNN 12 00 (11); MBCNN 18 00 (11)

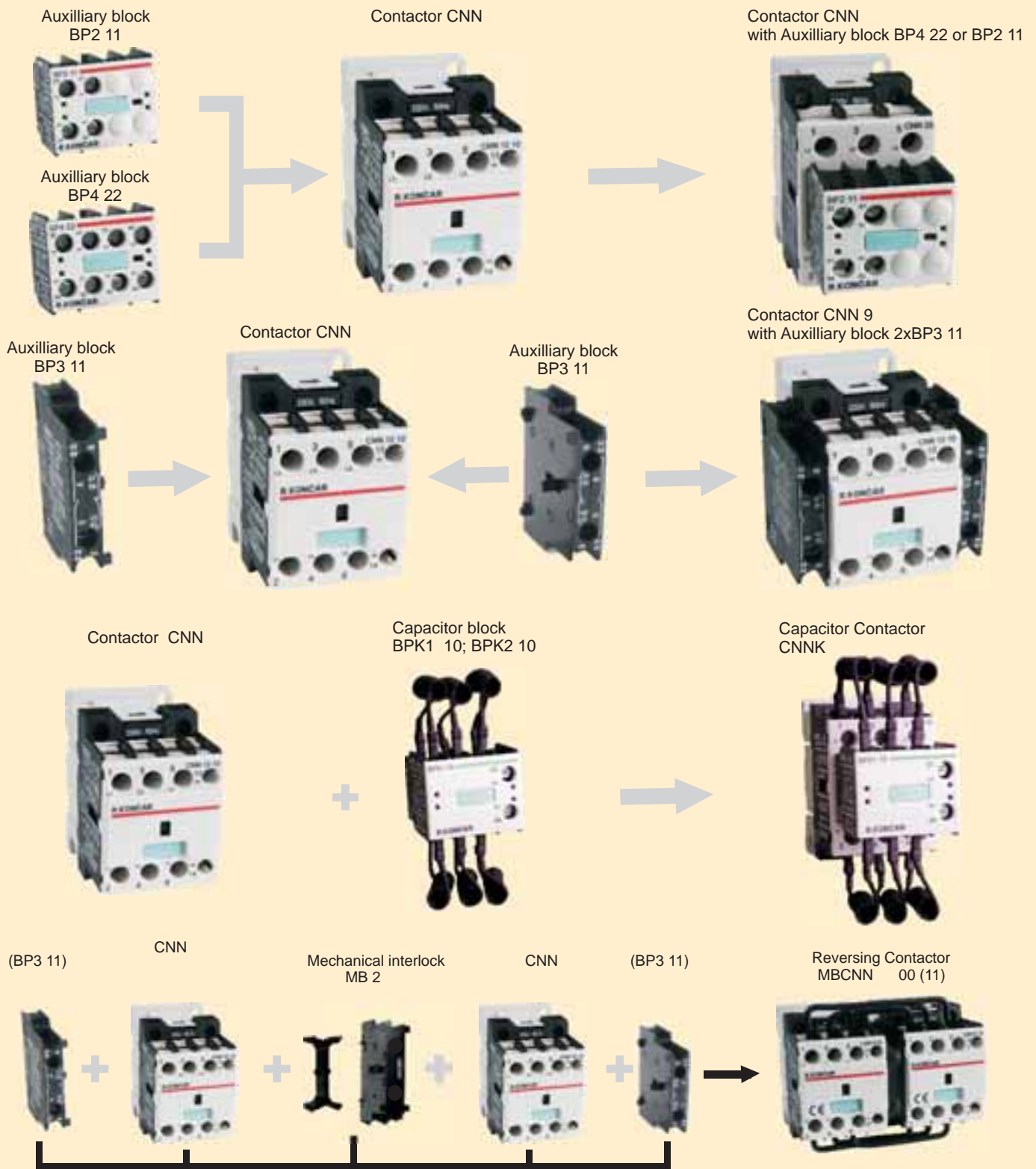


Drilling plan (mm)



TYPE	B	C	D
MBCNN 25 01	72.2	71	65
MBCNN 30 01; MBCNN 40 01	80	84.6	70

NEW CONTACTORS from 6.5A up to 38A



RADE KONČAR
KONTAKTORI I RELEI D.O.O.

1000 - Skopje, Macedonia
III Makedonska brigada b.b.
Tel./Fax++389 (0)2/2461 106; 2465 586; 2463 596
E-mail: marketing@radekoncar.com.mk
E-mail: foreigntrade@radekoncar.com.mk
http: //www.radekoncar.com.mk